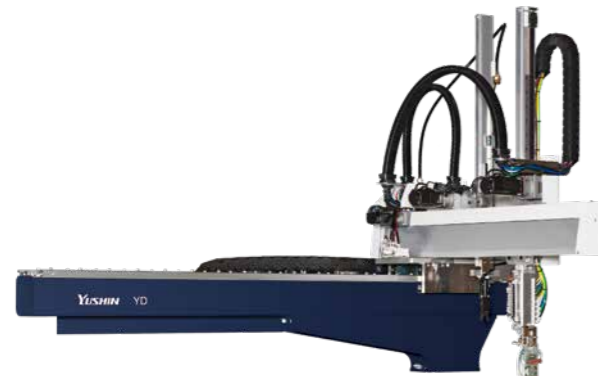


Separate catalog available

## YD-0310S/D

Enhanced design for higher productivity, less downtime, and lighter environmental footprint.



For CE supported languages, please contact our sales department.

Clamping force 30 - 100 tf

Vibration control

Optimized design + Power-saving

All-axis servo-driven

### All-Axis Servo Driven Take-out Robot Enhancing Customer Profitability and Environmental Measures

Combining design optimization, CFRPV3, and vibration control contribute to shorter cycle time and stable take-out. We have refined our unique ECO Vacuum™ technology to reduce compressed air consumption even further. As a result, robot air consumption can be economized and can reduce capital expenditures. The YD-0310 is sized for small molding machines with clamping forces from 30 to 100 tf.

### Equipped with E-touch compact 3 as standard



- Smart ECO Vacuum
- Take-out Diagnosis Function
- Torque Monitoring during Manual Operation

The E-touch compact 3 takes the easy operability of the previous YC series controller. And several assist features to become even easier to use.

#### Standard Specifications

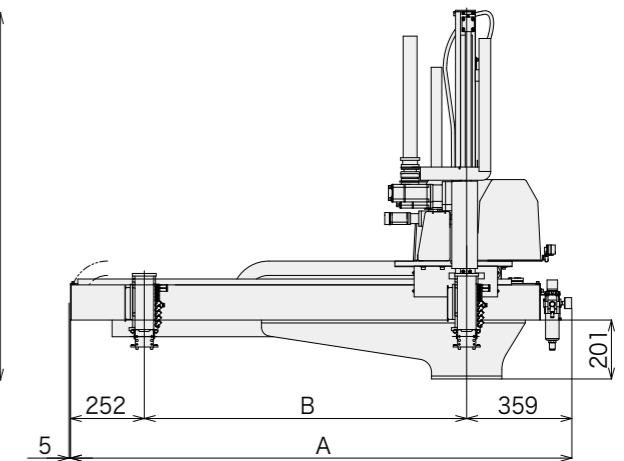
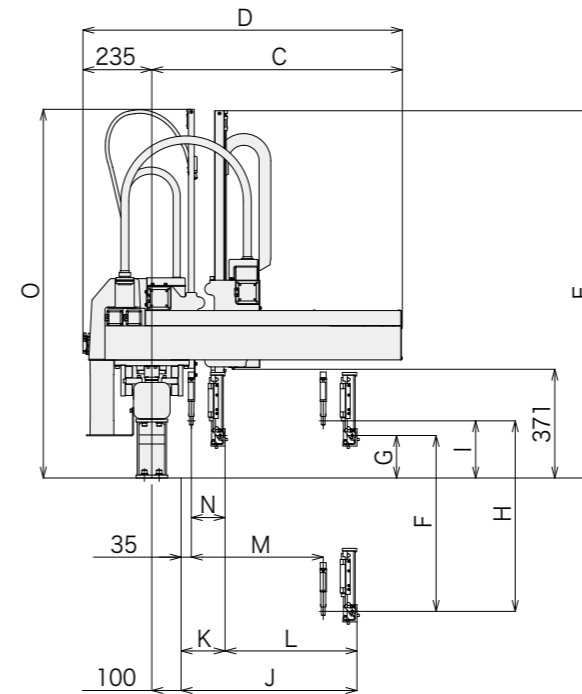
Power supply	Drive method	Controller model	Working air pressure	Flip angle
1 phase AC200/220 V (50/60 Hz)	Digital servo motor 3/5-axis	E-touch compact 3	0.49 MPa	90°

Model	Power consumption	Traverse stroke [mm]	Kick stroke [mm]		Vertical stroke [mm]		Air consumption [NL/cycle]	Payload [kg]	Noise [dBA]	Target IMM clamp capacity [tf]
			Main arm	Sub arm	Main arm	Sub arm				
YD-0310S	1.4 kVA AC200 V 7.0 A	1100 (1400) (1700)	500	—	600 (700)	—	3.2 Smart ECO Vacuum OFF	3 (5)	76.0	30-100
YD-0310D	1.7 kVA AC200 V 8.5 A	—	450	450	—	650 (750)	0.9 Smart ECO Vacuum ON	—	—	—

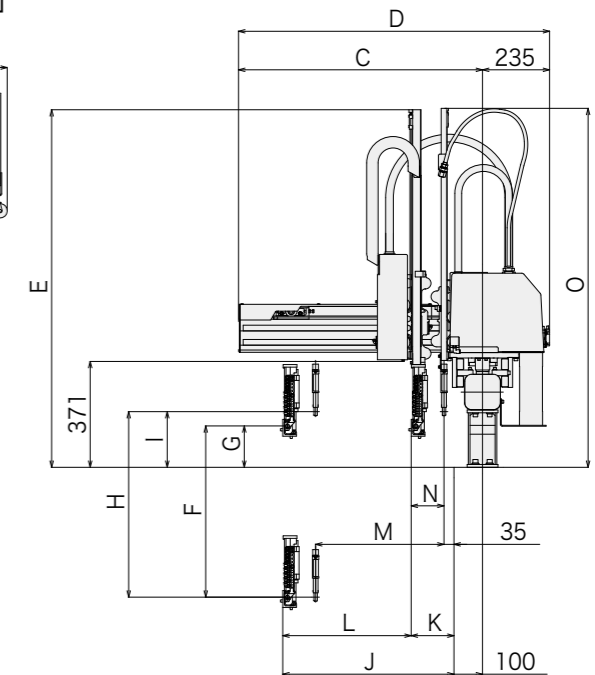
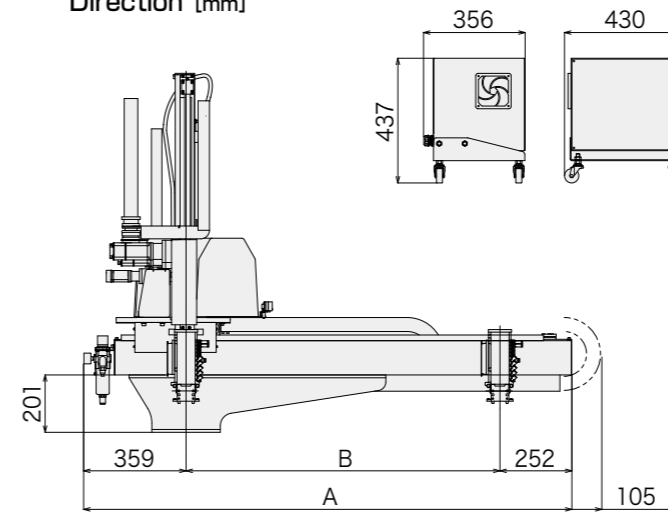
S type : Robot is equipped with main arm only. D type : Robot is equipped with main arm and sub arm. ( ) : Modified stroke ( ) : Increased maximum payload Payload includes the end-of-arm tool.

Rear (Non-operator) Side Discharge Direction [mm]



Operator Side Discharge Direction [mm]

Control Box [mm]



[mm]

Model	A	B	C	D	E	F	G	H
YD-0310S	1711 (2011)	1100 (1400)	855	1090	1253 (1353)	600 (700)	145	—
YD-0310D	—	—	—	—	—	—	—	650 (750)

Model	I	J	K	L	M	N	O
YD-0310S	—	600	100	500	—	—	—
YD-0310D	195	—	150	450	450	115	1258 (1358)

( ) : Modified stroke